



Microscope · Mikroskop ·

Science TFM 201/301 + Infinity

EN Instruction manual

DE Bedienungsanleitung

DE Besuchen Sie unsere Website über den folgenden QR Code oder Weblink um weitere Informationen zu diesem Produkt oder die verfügbaren Übersetzungen dieser Anleitung zu finden.

EN Visit our website via the following QR Code or web link to find further information on this product or the available translations of these instructions.

FR Si vous souhaitez obtenir plus d'informations concernant ce produit ou rechercher ce mode d'emploi en d'autres langues, rendez-vous sur notre site Internet en utilisant le code QR ou le lien correspondant.

NL Bezoek onze internetpagina via de volgende QR-code of weblink, voor meer informatie over dit product of de beschikbare vertalingen van deze gebruiksaanwijzing.

ES ¿Desearía recibir unas instrucciones de uso completas sobre este producto en un idioma determinado? Entonces visite nuestra página web utilizando el siguiente enlace (código QR) para ver las versiones disponibles.

IT Desidera ricevere informazioni esaustive su questo prodotto in una lingua specifica? Venga a visitare il nostro sito Web al seguente link (codice QR Code) per conoscere le versioni disponibili.



www.bresser.de/download/science



GARANTIE · WARRANTY · GARANTÍA · GARANZIA



www.bresser.de/warranty_terms

English	4
Deutsch	16

1 Imprint (German)

Bresser GmbH
Gutenbergstr. 2
46414 Rhede
Germany
www.bresser.de

For any warranty claims or service enquiries, please refer to the information on "Warranty" and "Service" in this documentation. We apologize for any inconvenience caused by the fact that we cannot process enquiries or submissions sent directly to the manufacturer's address.

Errors and technical changes excepted.

© 2021 Bresser GmbH

All rights reserved.

The reproduction of this documentation - even in extracts - in any form (e.g. photocopy, print, etc.) as well as the use and distribution by means of electronic systems (e.g. image file, website, etc.) without the prior written permission of the manufacturer is prohibited.

The designations and brand names of the respective companies used in this documentation are generally protected by trade, trademark and/or patent law in Germany, the European Union and/or other countries.

2 Validity note

This documentation is valid for the products with the following article numbers:

5750800 5750900 5760700

Manual version: 0421

Manual designation:

Manual_Science-TFM-Infinity-Series_en-de_BRESSER_v042021a

Always provide information when requesting service.

3 About this Instruction Manual



NOTICE

These operating instructions are to be considered a component of the device.

Read the safety instructions and the operating manual carefully before using this device.

Keep this instruction manual in a safe place for future reference. When the device is sold or given to someone else, the instruction manual must be provided to the new owner/user of the product.

4 Intended use

- This device is not intended for use by persons (including children) with impaired physical, sensory or mental abilities, or for lack of experience and/or knowledge, unless they are supervised by or have received instructions from a person responsible for their safety on how to use this device.
- This device is for personal use only.
- It was developed for an magnified representation of nature observations.
- The device is intended only for indoor use.

5 General safety instructions



DANGER

Risk of an electric shock!

This device contains electronic parts that are powered by a power source (AC adapter and/or batteries). Improper use of this product may result in electric shock. Electric shock can cause serious or fatal injuries. It is therefore imperative that you observe the following safety information.

- Disconnect the power supply by pulling the mains plug when the appliance is not in use, in case of a longer interruption of operation and before any maintenance and cleaning work.
- Place your device so that it can be disconnected from the power supply at any time. The power outlet should always be near your appliance and should be easily accessible, as the plug of the power cord serves as a disconnect device from the mains supply.
- To disconnect the unit from the mains, always pull the mains plug and never pull the cable!
- Check this device, cables and connections for damage before use.
- Never attempt to operate a damaged device, or a device with damaged electrical parts! Damaged parts must be replaced immediately by an authorized service agent.
- Operate the device only in a completely dry environment and do not touch the device with wet or damp body parts.



DANGER

Danger of suffocation!

Improper use of this product may result in suffocation, especially for children. It is therefore imperative that you observe the following safety information.

- Keep packaging materials (plastic bags, rubber bands, etc.) away from children! There is a danger of choking!
- This product contains small parts that can be swallowed by children! Choking hazard!
- If small parts are swallowed, consult a doctor immediately!



DANGER

Explosion hazard!

Improper use of this product may result in fire. It is essential that you observe the following safety information in order to avoid fires.

- Do not expose the device to high temperatures. Use only the supplied AC adapter. Do not short-circuit the device or batteries or dispose of in fire! Excessive heat and improper handling can cause short circuits, fires and even explosions!



CAUTION

Risk of body injury!

This device contains components and/or accessories that can cause minor or serious body injury if used improperly. It is therefore essential that you observe the following safety information in order to prevent body injuries.

- Sharp-edged and pointed tools are often used for working with this device. Therefore, keep this device and all accessories and tools in a place inaccessible to children. Danger of body injury!

-
- Chemicals and liquids do not belong in children's hands! Don't drink! Clean hands thoroughly under running water after use. In case of accidental contact with eyes or mouth, rinse with water. In case of complaints, consult a doctor immediately and show the substances.

**CAUTION****Fire hazard!**

Improper use of this product may result in fire. It is essential that you observe the following safety information in order to avoid fires.

-
- Never cover the ventilation slots or cooling fins of the device during operation or until it has cooled down completely!

**NOTICE****Danger of material damage!**

Improper handling may result in damage to the unit and/or accessories. Therefore, use the device only in accordance with the following safety information.

-
- Do not disassemble the device! In the event of a defect, please contact your dealer. They will contact the Service Center and can arrange the return of this device for repair if necessary.
 - Do not expose the device to high temperatures and protect it from water and high humidity.
 - Do not subject the device to excessive vibrations.
 - Only use accessories and spare parts for this device that comply with the technical specifications.

6 Product images

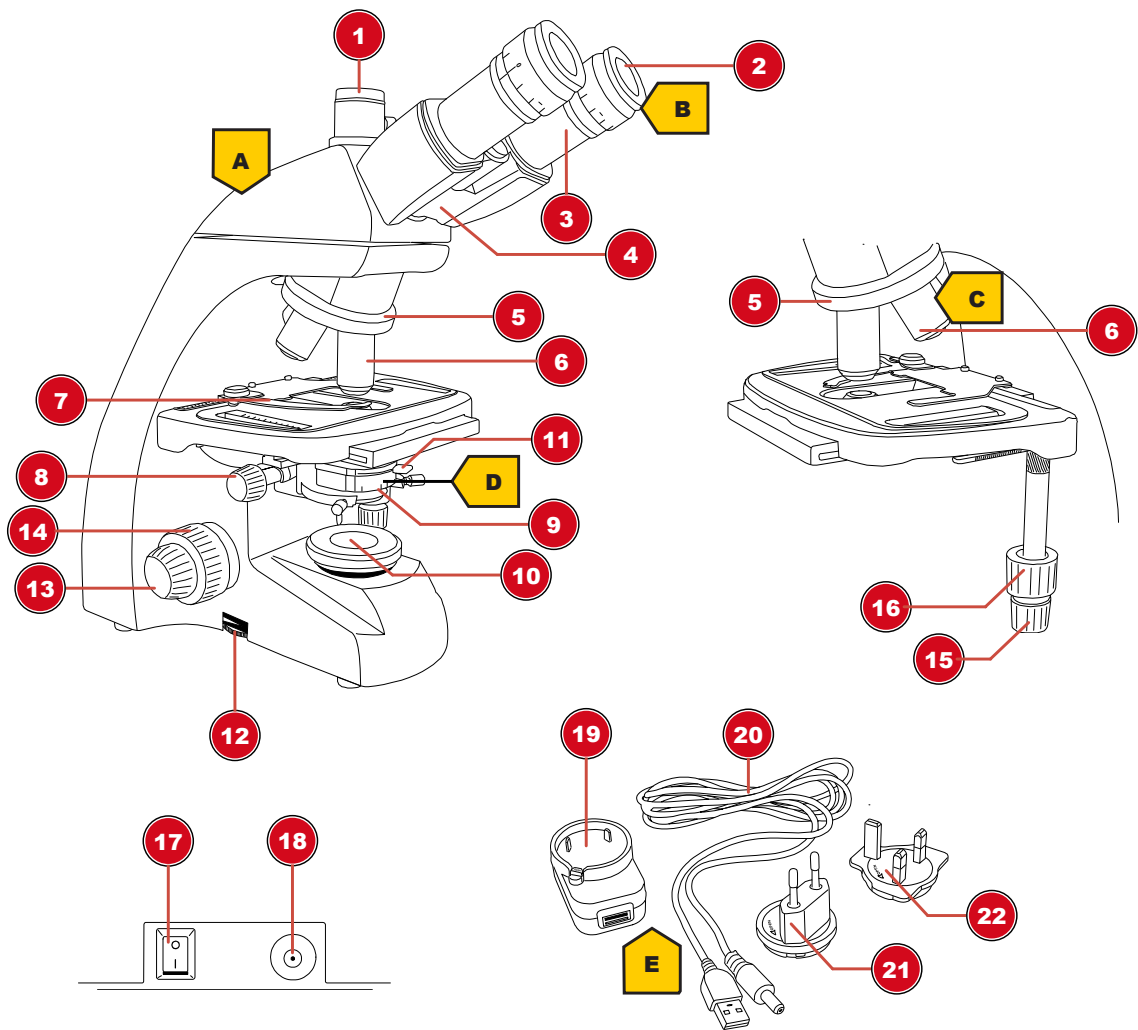


Illustration 2: Product images

7 Scope of delivery

Microscope (A); 10x WF Eyepiece (B); 4 Objectives (pre-assembled) (C); Condenser (pre-assembled) (D); Power adapter with plug and cable (E)

8 Parts overview

1	Trinocular head* / photo adapter*
2	Eyepiece
3	Eyepiece holder
4	Microscope head
5	Objective nosepiece
6	Objective
7	Specimen clamp
8	Condenser height adjustment
9	Condenser
10	Illumination
11	Adjusting lever for iris diaphragm
12	Rotary knob for brightness adjustment
13	Fine focusing
14	Coarse focusing
15	Cross table lateral adjustment (X-axis)
16	Cross table longitudinal adjustment (Y-axis)
17	On/Off switch
18	DC power port
19	Universal USB power adapter
20	USB power cable with coaxial/barrel connector
21	Power adapter attachment (EU)
22	Power adapter attachment (UK)

*not for model TFM-201

9 Choice of location

Choose a suitable location before installation and commissioning.

Place the device on a stable, level and vibration-free surface.

10 Installing the USB power adapter

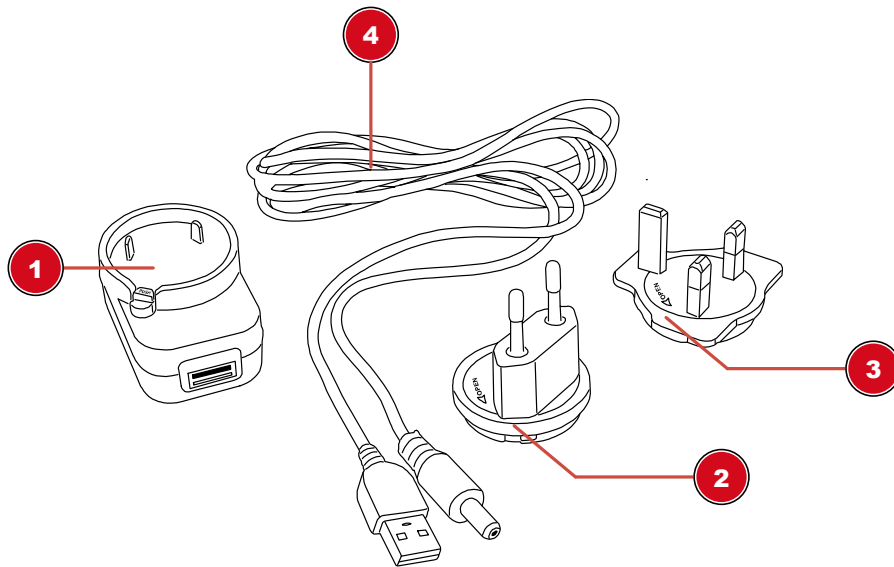


Illustration 3: USB power adapter with exchangeable attachment

1 USB power adapter	2 Adapter attachment (EU)
3 Adapter attachment (UK)	4 USB power cable with coaxial/barrel connector

1. Place suitable adapter attachment with its notches on the pins of the USB power adapter.
2. Turn adapter attachment in LOCK direction until it is locked.
3. Put the USB plug of the power cable into the USB port of the power adapter.
4. To remove the adapter attachment, push the PUSH button and turn the attachment in OPEN direction.



NOTICE

Using the USB power cable with a computer

Alternatively the device can be powered by a computer via the included USB power cable: Put the USB plug into a free USB port of the computer.

11 Setting up power supply

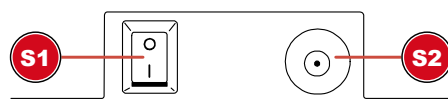


Illustration 4: DC connection socket for coaxial/barrel connector

1 On/Off switch	2 DC connection socket
-----------------	------------------------

1. Put the DC connector of the power cable into the DC connection socket of the device.
2. Put the mains plug of the power cable into the power outlet.

12 Turning on/off the device

1. Move On/Off switch to position 'I' to turn on the device.
2. Move On/Off switch to 'O' position to turn off the device.

13 Adjusting the lighting

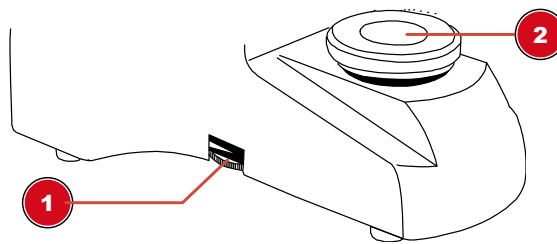


Illustration 5: Lighting unit

1 Rotary knob for brightness adjustment

2 Illumination

This device provides an illumination with a permanently installed LED light source.



NOTICE

Do not operation the device on highest brightness over a longer time!

This will reduce the lifetime of the LED.

To control the brightness proceed as follows:

1. Turn on the device.
2. Turn/Move the dimmer control to adjust the brightness of the light source.



NOTICE

Illuminating the object optimally

Adjust the brightness of the light source so that the illumination works at its optimum. Depending on light influences from outside and the object being observed, the illumination needs regular adjustments.

14 Inserting slides

1. Move the object plate downwards completely by turning the focus wheel.
2. Press the object clamping outwards.
3. Insert the slide straight into the fixture's angle.
4. Let the object clamping fall back carefully until the slide is fixed in the fixture.

15 Observation



NOTICE

Using eyepieces and objectives

When using a specific eyepiece or objective, you will get the individual magnification of an object being observed. The magnification is imprinted on the eyepiece and objective with a large number (e.g. 10x for 10-fold magnification, 4 for 4-fold magnification).

1. Move the object plate downwards completely by turning the focus wheel.
2. Insert a slide and place it in the middle under the objective.
3. Set an objective with lowest magnification below the object plate.
4. Insert an eyepiece with lowest magnification in the eyepiece holder.
5. Turn on the device and the illumination.
6. Look through the eyepiece and move the object plate upwards by turning the focus wheel until a sharp image is visible.
7. If necessary, adjust the image sharpness by turning the fine focus adjustment.



NOTICE

Avoid damages to the specimen!

Make sure you turn the focus wheel very slowly, to avoid the objective touch the slide or specimen, and thus to avoid damages to either of them, or to both. Only turn the focus wheel until it stops and do not apply excessive pressure.

16 Adjusting the eye distance

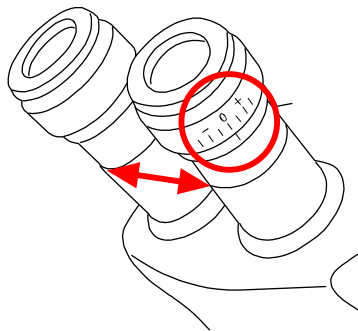


Illustration 6: Distance between the eyepieces and diopter adjustment

1. With the eyes look through both eyepieces.
2. Change the distance between the eyepieces by pushing them together or pulling apart until a circular image of the observed object is visible.

17 Diopter adjustment

1. Turn the diopter adjustment ring to position '0'.
2. With the left eye, look through the left eyepiece and turn the focusing wheel until a sharp image of the observed object is visible.

3. With the right eye, look through the right eyepiece and turn the diopter adjustment ring until a sharp image of the observed object is visible too.

The diopter adjustment can also be done in the opposite way on the left eyepiece.

18 Using the iris diaphragm



NOTICE

The iris diaphragm is used to increase the depth of focus.

With an open aperture more light is getting through but the depth of focus is less. With partially closed aperture the depth of focus is higher but it is necessary to increase the brightness of the illumination then.

It is recommended not to close the iris diaphragm too much when working with higher magnifications. Otherwise the image resolution will decrease.

Move the lever for the iris diaphragm to right or left to change the aperture setting.

19 Using the Köhler illumination

Proceed as follows to adjust the Köhler illumination for an optimal illumination of the field of view:

1. Focus on the object with the 10x objective.
2. Close the condenser and the light field aperture. For microscopes with additional lens, fold it out.
3. Move the condenser up and down until the edge of the light field aperture is in focus.
4. If necessary, use the adjustment screws to move the condenser until the light field aperture is centered in the field of view.
5. Open the light field aperture as far as it is not visible in the field of view anymore.

20 Oil immersion

The oil immersion can be done with a suitable 100x objective only. For the purpose proceed as follows:

1. Focus on the object with the 40x objective.
2. Turn the 40x objective sideways.
3. Drop a drop of immersion oil onto the cover glass of the preparation.
4. Retract the 100x objective so that it is immersed in the oil.
5. Refocus the image.
6. Clean the 100x objective after each use.

21 Using the trinocular extension

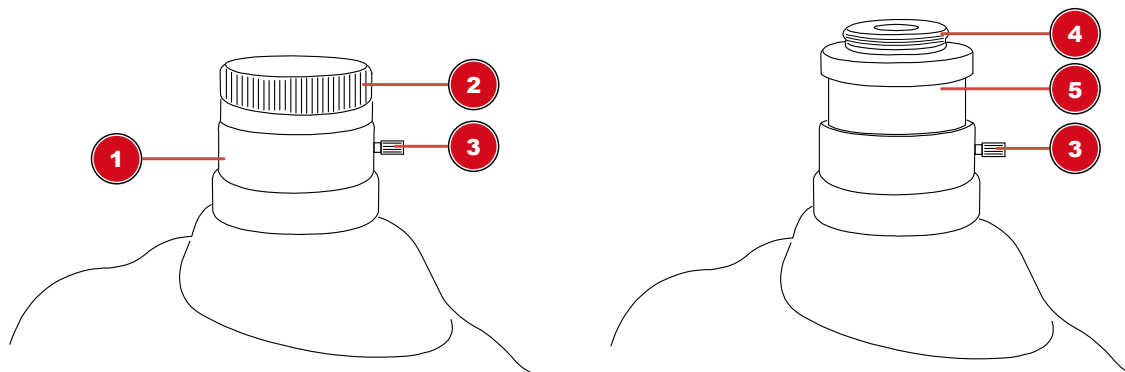


Illustration 7: Trinocular extension with pre-assembled photo adapter

1 Trinocular extension	2 Protection cap
3 Fixing screw	4 Photo adapter thread
5 Photo adapter	

The trinocular extension of the microscope was specially designed for C-mount threads. For the camera mounting proceed as follows:

1. Remove the dust protection cap from the trinocular head.
2. Attach the camera* with its C-mount thread to the photo adapter thread and turn it on.
3. Loosen the clamping screw of the trinocular extension to move the photo adapter with the camera* within the extension tube. In this way the image sharpness and the position of the camera can be adjusted. Most camera models can be adjusted parfocal to the eyepieces when doing so.
4. Re-tighten the screw to fix the camera in the desired position.

*not included

22 Cleaning and maintenance

- Protect the device from dust and moisture!
- Avoid fingerprints and similar contamination of the optical surfaces.
- The residual moisture must be completely degraded before use.
- Disconnect the power supply by pulling the mains plug when the appliance is not in use, in case of a longer interruption of operation and before any maintenance and cleaning work.
- Only clean the device externally using a dry cloth. Do not use cleaning solution to prevent damage to the electronic parts.
- Do not use organic solvents (e.g. alcohol, ether, acetone, xylol or other dilutions) to clean lacquered parts or plastic parts!
- Disassemble optical elements (e.g. objective, eyepiece, etc) before cleaning.
- Blow away loose dust from the lens surfaces first.
- Use high quality lens cleaning towels or soft cloth and moisten it with a little bit of pure alcohol (available in a drug store). Wipe the lens surface with it.
- Pull a dust protection cover* over the microscope and store it in a closed container at a dry and mould-free place. Store the microscope and the accessories in the relevant containers when they are not used for a longer time. It is recommended to store also objectives and eyepieces in closed containers with desiccant.

(*depending on the model a dust protection cover and box can be part of the content)



NOTICE

Remember:

A well maintained microscope will keep its optical quality for years and thus maintain its value.

23 Disposal



Dispose of the packaging materials properly, according to their type, such as paper or cardboard. Contact your local waste-disposal service or environmental authority for information on the proper disposal.



Do not dispose of electronic devices in the household garbage!

According to the European Directive 2012/19/EU on Waste Electrical and Electronic Equipment and its transposition into national law, used electrical equipment must be collected separately and recycled in an environmentally sound manner.



Batteries and rechargeable batteries must not be disposed of with household waste. You are legally obliged to return used batteries and accumulators and can return the batteries after use either in our sales outlet or in the immediate vicinity (e.g. in the trade or in municipal collection points) free of charge.

Batteries and accumulators are marked with a crossed-out dustbin and the chemical symbol of the pollutant, "Cd" stands for cadmium, "Hg" stands for mercury and "Pb" stands for lead.



Cd¹



Hg²



Pb³

24 Technical data


	Science TFM-201	Science TFM-301	Science Infinity
Article No.	5750800	5750900	5760700
Microscope head	binocular	trinocular (incl. photo adapter)	trinocular (incl. photo adapter)
Cross table	Yes, with Nonius scale	Yes, with Nonius scale	Yes, with Nonius scale
Eyepiece(s)	1 Pair of DIN WF 10x	1 Pair of DIN WF 10x	1 Pair of DIN WF 10x
Objective(s)	4x / 10x / 40x / 100x	4x / 10x / 40x / 100x	4x / 10x / 40x / 100x
Magnification	40x / 100x / 400x / 1000x	40x / 100x / 400x / 1000x	40x / 100x / 400x / 1000x
Power supply	DC 5V / 1000mA	DC 5V / 1000mA	DC 5V / 1000mA
Illumination	LED*	LED*	LED*

*The LED illumination used in this device has a very long lifespan and do not need to be changed. LEDs can not be changed due to technical reasons!


25 Warranty

The regular warranty period is 5 years and starts on the day of purchase. For full warranty terms and services, please visit www.bresser.de/warranty_terms.

26 EC Declaration of Conformity

 Bresser GmbH has issued a "Declaration of Conformity" in accordance with applicable guidelines and corresponding standards. This can be viewed any time upon request.
www.bresser.de • info@bresser.de

27 UKCA Declaration of Conformity

 Bresser GmbH has issued a "Declaration of Conformity" in accordance with applicable guidelines and corresponding standards. The full text of the UKCA declaration of conformity is available at the following internet address:

Bresser UK Ltd. • Suite 3G, Eden House, Enterprise Way, Edenbridge, Kent TN8 6Hf, Great Britain

1 Impressum

Bresser GmbH
Gutenbergstr. 2
46414 Rhede
Germany
www.bresser.de

Für etwaige Gewährleistungsansprüche oder Serviceanfragen verweisen wir auf die Informationen zu „Garantie“ und „Service“ in dieser Dokumentation. Wir bitten um Verständnis, dass direkt an die Hersteller-Anschrift gerichtete Anfragen oder Einsendungen nicht bearbeitet werden können.

Irrtümer und technische Änderungen vorbehalten.

© 2021 Bresser GmbH

Alle Rechte vorbehalten.

Die Reproduktion dieser Dokumentation – auch auszugsweise – in irgendeiner Form (z.B. Fotokopie, Druck, etc.) sowie die Verwendung und Verbreitung mittels elektronischer Systeme (z.B. Bilddatei, Website, etc.) ohne eine vorherige schriftliche Genehmigung des Herstellers ist nicht gestattet.

Die in dieser Dokumentation verwendeten Bezeichnungen und Markennamen der jeweiligen Firmen sind im Allgemeinen in Deutschland, der Europäischen Union und/oder weiteren Ländern waren-, marken- und/oder patentrechtlich geschützt.

2 Gültigkeitshinweis

Diese Dokumentation ist gültig für die Produkte mit den nachfolgend aufgeführten Artikelnummern:
5750800 5750900 5760700

Anleitungsversion: 0421

Bezeichnung dieser Anleitung:

Manual_Science-TFM-Infinity-Series_en-de_BRESSER_v042021a

Informationen bei Serviceanfragen stets angeben.

3 Zu dieser Anleitung



HINWEIS

Diese Bedienungsanleitung ist als Teil des Gerätes zu betrachten!

Lesen Sie vor der Benutzung des Geräts aufmerksam die Sicherheitshinweise und die Bedienungsanleitung.

Bewahren Sie diese Bedienungsanleitung für die erneute Verwendung zu einem späteren Zeitpunkt auf. Bei Verkauf oder Weitergabe des Gerätes ist die Bedienungsanleitung an jeden nachfolgenden Besitzer/Benutzer des Produkts weiterzugeben.

4 Verwendungszweck

- Dieses Gerät ist nicht dafür bestimmt, durch Personen (einschließlich Kinder) mit eingeschränkten physischen, sensorischen oder geistigen Fähigkeiten oder mangels Erfahrung und/oder mangels Wissen benutzt zu werden, es sei denn, sie werden durch eine für ihre Sicherheit zuständige Person beaufsichtigt oder erhielten von ihr Anweisungen, wie das Gerät zu benutzen ist.
- Dieses Gerät dient ausschließlich der privaten Nutzung.
- Es wurde entwickelt zur vergrößerten Darstellung von Naturbeobachtungen.

- Das Gerät ist nur für den Betrieb in Innenräumen bestimmt!

5 Allgemeine Sicherheitshinweise



GEFAHR

Gefahr eines Stromschlags!

Dieses Gerät beinhaltet Elektronikteile, die über eine Stromquelle (Netzteil und/oder Batterien) betrieben werden. Bei unsachgemäßer Verwendung dieses Produkts besteht die Gefahr eines Stromschlags. Ein Stromschlag kann zu schweren bis tödlichen Verletzungen führen. Beachten Sie daher unbedingt die nachfolgenden Sicherheitsinformationen.

- Unterbrechen Sie die Stromzufuhr, wenn Sie das Gerät nicht benutzen, im Falle einer längeren Betriebsunterbrechung sowie vor allen Wartungs- und Reinigungsarbeiten, indem Sie den Netzstecker ziehen.
- Platzieren Sie Ihr Gerät so, dass es jederzeit vom Stromnetz getrennt werden kann. Die Netzsteckdose sollte sich immer in der Nähe Ihres Geräts befinden und gut zugänglich sein, da der Stecker des Netzkabels als Trennvorrichtung zum Stromnetz dient.
- Um das Gerät vom Stromnetz zu trennen, ziehen Sie immer am Netzstecker und niemals am Kabel!
- Überprüfen Sie das Gerät, die Kabel und Anschlüsse vor Inbetriebnahme auf Beschädigungen.
- Beschädigtes Gerät oder ein Gerät mit beschädigten stromführenden Teilen niemals in Betrieb nehmen! Beschädigte Teile müssen umgehend von einem autorisierten Service-Betrieb ausgetauscht werden.
- Betreiben Sie das Gerät nur in vollkommen trockener Umgebung und berühren Sie das Gerät nicht mit nassen oder feuchten Körperteilen.



GEFAHR

Erstickungsgefahr!

Bei unsachgemäßer Verwendung dieses Produkts besteht Erstickungsgefahr, insbesondere für Kinder. Beachten Sie deshalb unbedingt die nachfolgenden Sicherheitsinformationen.

- Verpackungsmaterialien (Plastiktüten, Gummibänder, etc.) von Kindern fernhalten! Es besteht Erstickungsgefahr!
- Dieses Produkt beinhaltet Kleinteile, die von Kindern verschluckt werden können! Es besteht Erstickungsgefahr!
- Wenn Kleinteile verschluckt wurden, unverzüglich einen Arzt aufsuchen!



GEFAHR

Explosionsgefahr!

Bei unsachgemäßer Verwendung dieses Produkts besteht Explosionsgefahr. Beachten Sie unbedingt die nachfolgenden Sicherheitsinformationen, um eine Explosion zu vermeiden.

- Setzen Sie das Gerät keinen hohen Temperaturen aus. Benutzen Sie nur das mitgelieferte Netzteil. Gerät nicht kurzschließen oder ins Feuer werfen! Durch übermäßige Hitze und unsachgemäße Handhabung können Kurzschlüsse, Brände und sogar Explosionen ausgelöst werden!

VORSICHT



Verletzungsgefahr!

Dieses Gerät beinhaltet Bau- und/oder Zubehörteile, durch die bei unsachgemäßer Verwendung leichte bis schwere Verletzungen hervorgerufen werden können. Beachten Sie deshalb unbedingt die nachfolgenden Sicherheitsinformationen, um entsprechenden Verletzungen vorzubeugen.

- Für die Arbeit mit diesem Gerät werden häufig scharfkantige und spitze Hilfsmittel eingesetzt. Bewahren Sie deshalb dieses Gerät sowie alle Zubehörteile und Hilfsmittel an einem für Kinder unzugänglichen Ort auf. Es besteht Verletzungsgefahr!
- Chemikalien und Flüssigkeiten gehören nicht in Kinderhände! Nicht trinken! Hände nach Gebrauch unter fließendem Wasser gründlich säubern. Bei versehentlichem Kontakt mit Augen oder Mund mit Wasser spülen. Bei Beschwerden unverzüglich einen Arzt aufsuchen und die Substanzen vorzeigen.

VORSICHT



Brandgefahr!

Bei unsachgemäßer Verwendung dieses Produkts besteht Brandgefahr. Beachten Sie unbedingt die nachfolgenden Sicherheitsinformationen, um die Entstehung von Bränden zu vermeiden.

- Decken Sie die Lüftungsschlitze oder Kühlrippen des Geräts während des Betriebs oder solange es noch nicht vollständig abgekühlt ist niemals ab!

HINWEIS



Gefahr von Sachschäden!

Bei unsachgemäßer Handhabung können das Gerät und/oder die Zubehörteile beschädigt werden. Verwenden Sie das Gerät deshalb nur entsprechend den nachfolgenden Sicherheitsinformationen.

- Bauen Sie das Gerät nicht auseinander! Wenden Sie sich im Falle eines Defekts an Ihren Fachhändler. Er nimmt mit dem Service-Center Kontakt auf und kann das Gerät ggf. zwecks Reparatur einschicken.
- Setzen Sie das Gerät keinen hohen Temperaturen aus und schützen Sie es vor Wasser und hoher Luftfeuchtigkeit.
- Setzen Sie das Gerät keinen Erschütterungen aus.
- Verwenden Sie für dieses Gerät nur Zubehör- und Ersatzteile die den technischen Angaben entsprechen.

6 Produktabbildungen

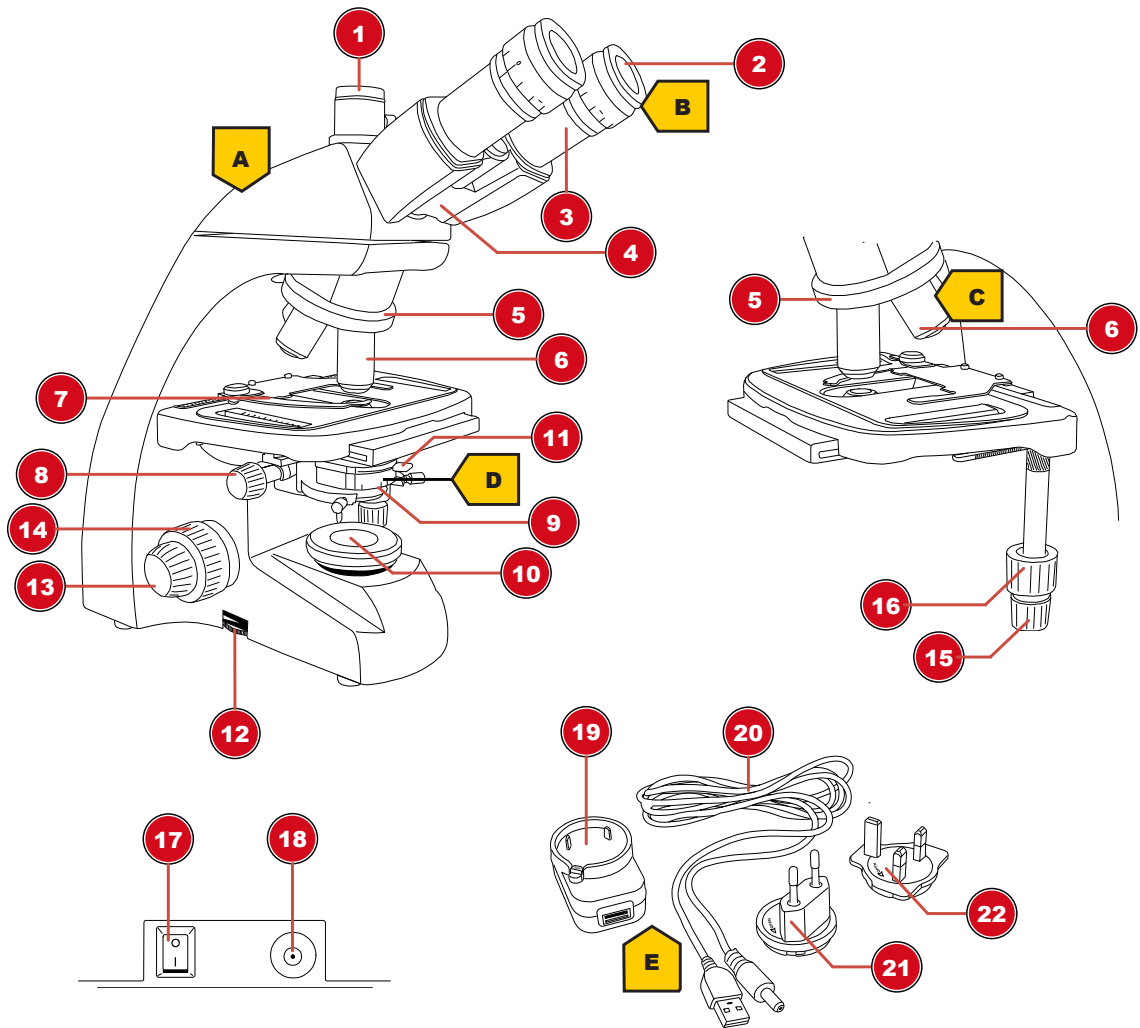


Abb. 2: Produktabbildungen

7 Lieferumfang

Mikroskop (A); 10x WF Okular (B); 4 Objektive (vormontiert) (C); Kondensator (vormontiert) (D); Netzadapter mit Stecker und Stromkabel (E)

8 Teileübersicht

1	Trinokularer Auszug* / Fotoadapter*
2	Okular
3	Okularstutzen
4	Mikroskopkopf
5	Objektivrevolver
6	Objektiv
7	Objektklemmung
8	Kondensator-Höhenverstellung
9	Kondensator
10	Beleuchtung
11	Stellhebel für Irisblende
12	Drehrad für Helligkeitsregelung
13	Feinfokussierung
14	Grobokussierung
15	Kreuztisch-Querverstellung (X-Achse)
16	Kreuztisch-Längsverstellung (Y-Achse)
17	Ein/Aus-Schalter
18	DC-Anschlussbuchse
19	Universal USB-Netzadapter
20	USB-Stromkabel mit Hohlstecker
21	Netzadapteraufsatz (EU)
22	Netzadapteraufsatz (UK)

*nicht bei Modell TFM-201

9 Standortwahl

Vor dem Aufbau und der Inbetriebnahme einen geeigneten Standort wählen.
Gerät auf einem stabilen, ebenen und erschütterungsfreien Untergrund platzieren.

10 USB-Stromadapter montieren

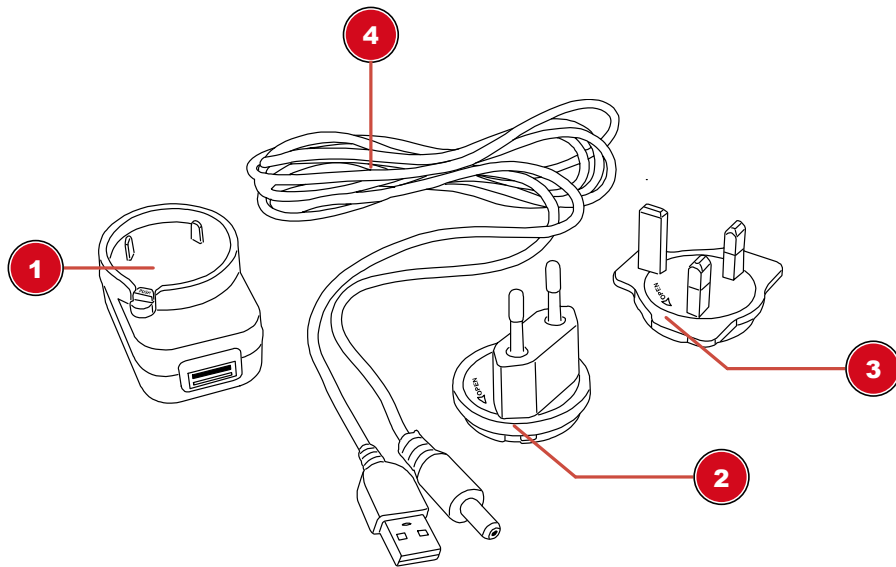


Abb. 3: USB-Stromadapter mit Wechselaufsatz

1 USB-Stromadapter	2 Adapteraufsatz (EU)
3 Adapteraufsatz (UK)	4 USB-Stromkabel mit Hohlstecker

1. Passenden Adapteraufsatz mit den Kerben auf die Zapfen des USB-Stromadapters setzen.
2. Adapteraufsatz in Richtung LOCK drehen bis dieser einrastet.
3. USB-Stecker des Stromkabels in die USB-Anschlussbuchse des Stromadapters stecken.
4. PUSH-Knopf drücken und Adapteraufsatz in Richtung OPEN drehen, um diesen zu entfernen.



HINWEIS

USB-Stromkabel mit einem Computer verwenden

Das Gerät kann per USB-Stromkabel auch an den freien USB-Port eines Computers angeschlossen werden und so darüber mit Strom versorgt werden.

11 Stromversorgung herstellen

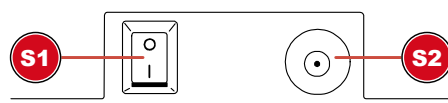


Abb. 4: DC-Anschlussbuchse für Hohlstecker

1 Ein/Aus-Schalter	2 DC-Anschlussbuchse
--------------------	----------------------

1. DC-Stecker des Stromkabels in die DC-Anschlussbuchse des Gerätes stecken.
2. Netzstecker des Stromkabels in die Steckdose stecken.

12 Gerät ein-/ausschalten

1. Ein/Aus-Schalter in die Position ‚I‘ bewegen, um das Gerät einzuschalten.
2. Ein/Aus-Schalter in die Position ‚O‘ bewegen, um das Gerät auszuschalten.

13 Beleuchtung einstellen

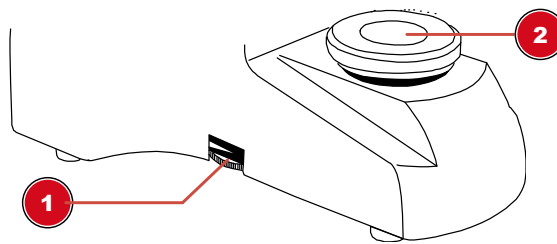


Abb. 5: Beleuchtungseinheit

1 Drehrad für Helligkeitsregelung

2 Beleuchtung

Dieses Gerät verfügt über eine Beleuchtungseinheit mit fest eingebauter LED-Lichtquelle.



HINWEIS

Das Gerät nicht über einen längeren Zeitraum bei maximaler Helligkeit betreiben!

Dies führt zur Verringerung der LED-Lebensdauer.

Zur Regelung der Beleuchtung folgendermaßen vorgehen:

1. Gerät einschalten.
2. Dimmerregler drehen/bewegen, um die Helligkeit der Lichtquelle zu regulieren.



HINWEIS

Objekt optimal ausleuchten

Stellen Sie die Helligkeit der Beleuchtung stets so ein, dass eine möglichst gute Ausleuchtung erreicht wird. Abhängig von den äußeren Lichteinflüssen und dem zu beobachtenden Objekt muss die Beleuchtung ggf. häufiger nachjustiert werden.

14 Objektträger einsetzen

1. Objektisch durch Drehen des Fokusrades ganz nach unten bewegen.
2. Objektklemmung nach außen drücken.
3. Objektträger gerade im Winkel der Haltevorrichtung einlegen.
4. Objektklemmung vorsichtig zurück gleiten lassen bis der Objektträger in der Haltevorrichtung fixiert ist.

15 Beobachtung



HINWEIS

Verwendung von Okularen und Objektiven

Durch die Verwendung eines bestimmten Okulars und Objektivs wird eine individuelle Vergrößerung des Beobachtungsobjektes erreicht. Die Vergrößerung ist auf dem Okular und Objektiv jeweils als größte Ziffer aufgedruckt (z.B. 10x = zehnfache Vergrößerung, 4 = vierfache Vergrößerung).

1. Objektisch durch Drehen des Fokusrades ganz nach unten bewegen.
2. Objektträger einsetzen, so dass sich das Präparat mittig unter dem Objektiv befindet.
3. Objektiv mit niedrigster Vergrößerung über dem Objektisch einstellen.
4. Okular mit niedrigster Vergrößerung in den Okularstutzen einsetzen.
5. Gerät und Beleuchtung einschalten.
6. Durch das Okular blicken und den Objektisch durch Drehen des Fokusrades langsam nach oben bewegen bis das Bild sichtbar wird.
7. Falls erforderlich die Schärfe des Beobachtungsobjekts mittels Feinfokusrad nachjustieren.



HINWEIS

Beschädigung des Präparats vermeiden!

Das Fokusrad nur langsam bewegen, so dass das Objektiv den Objektträger nicht berührt und um Schäden an einem oder beiden Teilen zu vermeiden. Das Fokusrad nur bis zum Anschlag drehen und dabei keinen übermäßigen Druck ausüben.

16 Augenabstand einstellen

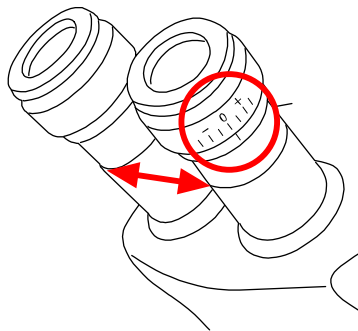


Abb. 6: Okularabstand und Dioptrieneinstellung

1. Mit beiden Augen durch die Okulare blicken.
2. Den Abstand der beiden Okulare durch zusammenschieben oder auseinanderziehen so verändern bis ein kreisrundes Bild vom Beobachtungsobjekt sichtbar ist.

17 Dioptrieneinstellung

1. Dioptrieneinstellung auf Position ,0' drehen.
2. Mit dem linken Auge durch das linke Okular blicken und Fokussierknopf drehen bis ein scharfes Bild vom Beobachtungsobjekt sichtbar ist.

3. Mit dem rechten Auge durch das rechte Okular blicken und den Dioptrieneinstellring drehen bis ebenfalls ein scharfes Bild vom Beobachtungsobjekt sichtbar ist.

Die Dioptrieneinstellung kann alternativ auch in umgekehrter Weise am linken Okular vorgenommen werden.

18 Verwendung der Irisblende



HINWEIS

Die Irisblende dient der Erhöhung der Tiefenschärfe.

Eine geöffnete Blende lässt bei geringer Tiefenschärfe viel Licht hindurch. Eine teilweise geschlossene Blende erhöht die Tiefenschärfe, jedoch ist es hierzu erforderlich, die Helligkeit der Beleuchtung zu erhöhen.

Die Irisblende sollte gerade bei höheren Vergrößerungen nicht zu weit geschlossen werden, da sonst die Auflösung verringert wird.

Stellhebel für die Irisblende nach rechts oder links bewegen, um die Blendeneinstellung zu verändern.

19 Verwendung der Köhlerschen Beleuchtung

Zur Einstellung der Köhlerschen Beleuchtung für eine optimale Ausleuchtung des Bildfeldes folgendermaßen vorgehen:

1. Objekt mit dem 10x Objektiv scharf stellen.
2. Kondensor- und Leuchtfeldblende schließen. Bei Mikroskopen mit Zusatzlinse diese herausklappen.
3. Den Kondensor auf- und abwärts bewegen bis der Rand der Leuchtfeldblende scharf ist.
4. Mittels der Justierschrauben den Kondensor gegebenenfalls so weit bewegen bis sich die Leuchtfeldblende in der Bildmitte befindet.
5. Leuchtfeldblende so weit öffnen bis sie nicht mehr im Bildfeld sichtbar ist.

20 Öl-Immersion

Die Öl-Immersion kann nur mit einem geeigneten 100x Objektiv durchgeführt werden. Für die Durchführung folgendermaßen vorgehen:

1. Objekt mit dem 40x Objektiv scharf stellen.
2. 40x Objektiv zur Seite drehen.
3. Einen Tropfen Immersionsöl auf das Deckgläschen des Präparats geben.
4. 100x Objektiv einschwenken so dass es in das Öl eintaucht.
5. Bild nachfokussieren.
6. 100x Objektiv nach jedem Einsatz reinigen.

21 Verwendung des trinokularen Auszugs

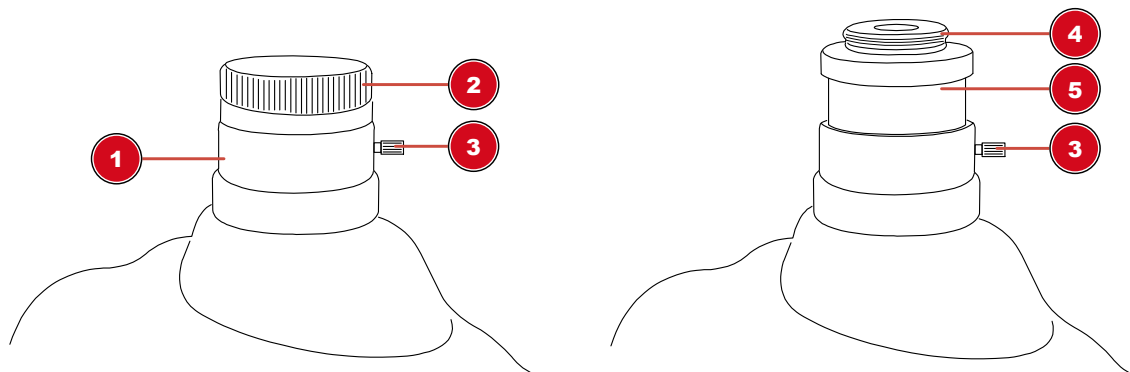


Abb. 7: Trinokularer Auszug mit vormontiertem Fotoadapter

1 Trinokularer Auszug	2 Schutzkappe
3 Klemmschraube	4 Gewinde Fotoadapter
5 Fotoadapter	

Der trinokulare Auszug des Mikroskops ist speziell für Kameras mit C-Mount-Gewinde ausgelegt. Für die Kameramontage folgendermaßen vorgehen:

1. Staubschutzdeckel vom trinokularen Auszug abschrauben.
2. Kamera* mit C-Mount-Gewinde auf das Gewinde des Fotoadapters aufschrauben und einschalten.
3. Klemmschraube am trinokularen Auszug lösen, um den Fotoadapter mit der Kamera* im Auszug zu bewegen. So kann die Bildschärfe der Kamera angepasst oder die Kamera gedreht werden. Die meisten Kameramodelle können so parfokal zu den Okularen eingestellt werden.
4. Schraube wieder handfest anziehen, um Kamera in der gewünschten Position zu fixieren.

*nicht im Lieferumfang enthalten

22 Reinigung und Wartung

- Gerät vor Staub und Feuchtigkeit schützen.
- Fingerabdrücke und ähnliche Verunreinigungen der optischen Flächen vermeiden.
- Vor der Verwendung muss die Restfeuchtigkeit vollständig abgebaut sein.
- Unterbrechen Sie die Stromzufuhr, wenn Sie das Gerät nicht benutzen, im Falle einer längeren Betriebsunterbrechung sowie vor allen Wartungs- und Reinigungsarbeiten, indem Sie den Netzstecker ziehen.
- Reinigen Sie das Gerät nur äußerlich mit einem trockenen Tuch. Benutzen Sie keine Reinigungsflüssigkeit, um Schäden an der Elektronik zu vermeiden.
- Keine organischen Lösungsmittel (z.B. Alkohol, Äther, Aceton, Xylol oder andere Verdüner) für die Reinigung von lackierten Teilen oder Kunststoffteilen verwenden!
- Auswechselbare optische Elemente (z.B. Objektiv, Okular, etc.) vor der Reinigung demontieren.
- Zunächst lösen Staub von den Linsenoberflächen blasen.
- Linsentücher von guter Qualität oder weichen Stoff verwenden und leicht mit reinem Alkohol (in der Apotheke erhältlich) anfeuchten. Linsenoberfläche damit sanft abwischen.
- Nach der Benutzung eine Staubschutzhülle* über das Mikroskop ziehen und in einem geschlossenen Behältnis* an einem trockenen und schimmelfreien Platz lagern. Bei längerer Nichtbenutzung das Mikroskop und die Zubehörteile wieder in den dazugehörigen Behältnissen verstauen. Es wird empfohlen, auch alle Objektive und Okulare in einem geschlossenen Behälter mit Trockenmittel zu lagern.

(*abhängig vom jeweiligen Modell können Staubschutzhülle und Koffer bereits im Lieferumfang enthalten sein)



HINWEIS

Merke:

Ein gut gepflegtes Mikroskop behält über Jahre seine optische Qualität und so seinen Wert.

23 Entsorgung



Entsorgen Sie die Verpackungsmaterialien sortenrein. Informationen zur ordnungsgemäßen Entsorgung erhalten Sie beim kommunalen Entsorgungsdienstleister oder Umweltamt.



Werfen Sie Elektrogeräte nicht in den Hausmüll!

Gemäß der Europäischen Richtlinie 2012/19/EG über Elektro- und Elektronik-Altgeräte und deren Umsetzung in nationales Recht müssen verbrauchte Elektrogeräte getrennt gesammelt und einer umweltgerechten Wiederverwertung zugeführt werden.



Batterien und Akkus dürfen nicht im Hausmüll entsorgt werden. Sie sind zur Rückgabe gebrauchter Batterien und Akkus gesetzlich verpflichtet und können die Batterien nach Gebrauch entweder in unserer Verkaufsstelle oder in unmittelbarer Nähe (z.B. im Handel oder in kommunalen Sammelstellen) unentgeltlich zurückgeben.

Batterien und Akkus sind mit einer durchgekreuzten Mülltonne sowie dem chemischen Symbol des Schadstoffes bezeichnet, "Cd" steht für Cadmium, "Hg" steht für Quecksilber und "Pb" steht für Blei.



Cd¹



Hg²



Pb³

24 Technische Daten


	Science TFM-201	Science TFM-301	Science Infinity
Artikelnummer	5750800	5750900	5760700
Mikroskopkopf	binokular	trinokular (inkl. Fotoadapter)	trinokular (inkl. Fotoadapter)
Kreuztisch	Ja, mit Nonius-Einstellung	Ja, mit Nonius-Einstellung	Ja, mit Nonius-Einstellung
Okular(e)	1 Paar DIN WF 10x	1 Paar DIN WF 10x	1 Paar DIN WF 10x
Objektiv(e)	4x / 10x / 40x / 100x	4x / 10x / 40x / 100x	4x / 10x / 40x / 100x
Vergößerung(en)	40x / 100x / 400x / 1000x	40x / 100x / 400x / 1000x	40x / 100x / 400x / 1000x
Spannungsversorgung	DC 5V / 1000mA	DC 5V / 1000mA	DC 5V / 1000mA
Beleuchtung	LED*	LED*	LED*

* Die in diesem Gerät verbaute LED-Beleuchtung weist eine sehr lange Lebensdauer auf, so dass diese nicht ausgetauscht werden muss. Ein Austausch ist aus technischen Gründen auch nicht möglich!


25 Garantie

Die reguläre Garantiezeit beträgt 5 Jahre und beginnt am Tag des Kaufs. Die vollständigen Garantiebedingungen und Serviceleistungen können Sie unter www.bresser.de/garantiebedingungen einsehen.

26 EG-Konformitätserklärung

 Eine „Konformitätserklärung“ in Übereinstimmung mit den anwendbaren Richtlinien und entsprechenden Normen ist von der Bresser GmbH erstellt worden. Diese kann auf Anfrage jederzeit eingesehen werden. www.bresser.de • info@bresser.de

27 UKCA-Konformitätserklärung

 Eine „Konformitätserklärung“ in Übereinstimmung mit den anwendbaren Richtlinien und entsprechenden Normen ist von der Bresser GmbH erstellt worden. Der vollständige Text der UKCA-Konformitätserklärung ist unter der folgenden Internetadresse verfügbar:
www.bresser.de/download/5750800_5750900_5760700/UKCA/5750800_5750900_5760700_UKCA.pdf

Bresser UK Ltd. • Suite 3G, Eden House, Enterprise Way, Edenbridge, Kent TN8 6Hf, Great Britain

Service

DE AT CH BE

Bei Fragen zum Produkt und eventuellen Reklamationen nehmen Sie bitte zunächst mit dem Service-Center Kontakt auf, vorzugsweise per E-Mail.

E-Mail: service@bresser.de
Telefon*: +49 28 72 80 74 210

BRESSER GmbH
Kundenservice
Gutenbergstr. 2
46414 Rhede
Deutschland

*Lokale Rufnummer in Deutschland (Die Höhe der Gebühren je Telefonat ist abhängig vom Tarif Ihres Telefonanbieters); Anrufe aus dem Ausland sind mit höheren Kosten verbunden.

GB IE

Please contact the service centre first for any questions regarding the product or claims, preferably by e-mail.

e-mail: service@bresseruk.com
Telephone*: +44 1342 837 098

BRESSER UK Ltd
Customer Support
Suite G3, Eden House
Enterprise Way
Edenbridge, Kent TN8 6HF
United Kingdom

*Number charged at local rates in the UK (the amount you will be charged per phone call will depend on the tariff of your phone provider); calls from abroad will involve higher costs.

FR BE

Si vous avez des questions concernant ce produit ou en cas de réclamations, veuillez prendre contact avec notre centre de services (de préférence via e-mail).

e-mail: sav@bresser.fr
Téléphone:** 00 800 6343 7000

BRESSER France SARL
Service après-vente
Pôle d'Activités de Nicopolis
314 Avenue des Chênes Verts
83170 Brignoles
France

**Prix d'un appel local depuis la France ou Belgique

NL BE

Als u met betrekking tot het product vragen of eventuele klachten heeft kunt u contact opnemen met het service centrum (bij voorkeur per e-mail).

e-mail: info@bresserbenelux.nl
Teléfono*: +31 528 23 24 76

BRESSER Benelux B.V.
Klantenservice
Smirnoffstraat 8
7903 AX Hoogeveen
Nederland

*Het telefoonnummer wordt in het Nederland tegen lokaal tarief in rekening gebracht. Het bedrag dat u per gesprek in rekening gebracht zal worden, is afhankelijk van het tarief van uw telefoon provider; gesprekken vanuit het buitenland zullen hogere kosten met zich meebrengen.

ES PT

Si desea formular alguna pregunta sobre el producto o alguna eventual reclamación, le rogamos que se ponga en contacto con el centro de servicio técnico (de preferencia por e-mail).

e-mail: servicio.iberia@bresser-iberia.es
Teléfono*: +34 91 67972 69

BRESSER Iberia SLU
Servicio al Cliente
c/Valdemorillo,1 Nave B
P.I. Ventorro del cano
28925 Alcorcón Madrid
España

*Número local de España (el importe de cada llamada telefónica dependen de las tarifas de los distribuidores); Las llamadas des del extranjero están ligadas a costes suplementarios.

Bresser GmbH
Gutenbergstraße 2
46414 Rhede · Germany
www.bresser.de

    @BresserEurope

